

Model Question Paper-2 with effect from 2019-20 (CBCS Scheme)

USN

--	--	--	--	--	--	--	--	--	--

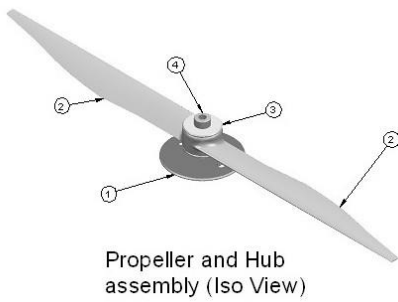
Fourth Semester B.E. Degree Examination COMPUTER AIDED AIRCRAFT DRAWING

TIME: 03 Hours

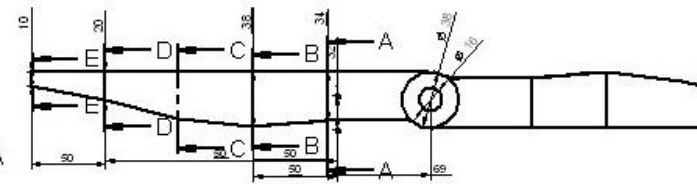
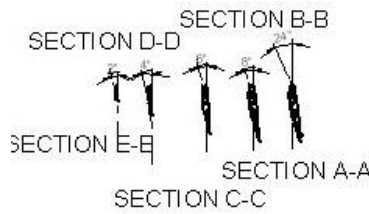
Max. Marks: 100

- Note:
01. Answer any one question from each of parts A, B and C
 02. Use First angle projection only
 03. Missing data if any may be suitably assumed
 04. All the calculation should be on answer sheet supplied
 05. All the dimensions are in mm
 06. Part C assembled view should be in 3D and other 2 views in 2D

PART - A		*Bloom's Taxonomy Level	Marks
Q.01	A cone of base diameter 50mm and axis length 65mm rests with its base on the HP. Draw the true shape of section made by a section plane perpendicular to VP and inclined to the HP at 50° and passing through an end point on the circumference of the base circle of the cone	L3	20
OR			
Q.02	For the object shown below draw the three views. Show all dimensions	L3	20
PART-B			
Q. 03	Draw sectional FV and TV of the double riveted chain butt joint with double strap, taking $t=12\text{mm}$. Indicate dimensions	L3	20
OR			
Q.04	Draw a neat sketch of Sellers thread profile of pitch 50mm. Indicate all dimensions	L3	20
PART-C			
Q. 05	The Details of Propeller Hub are shown in the fig 1. Draw front, top and left views of the assembly	L3	60
OR			
Q. 06	The Details of LANDING GEAR ASSEMBLY are shown in the fig 1. Draw front, top and left views of the assembly	L3	60

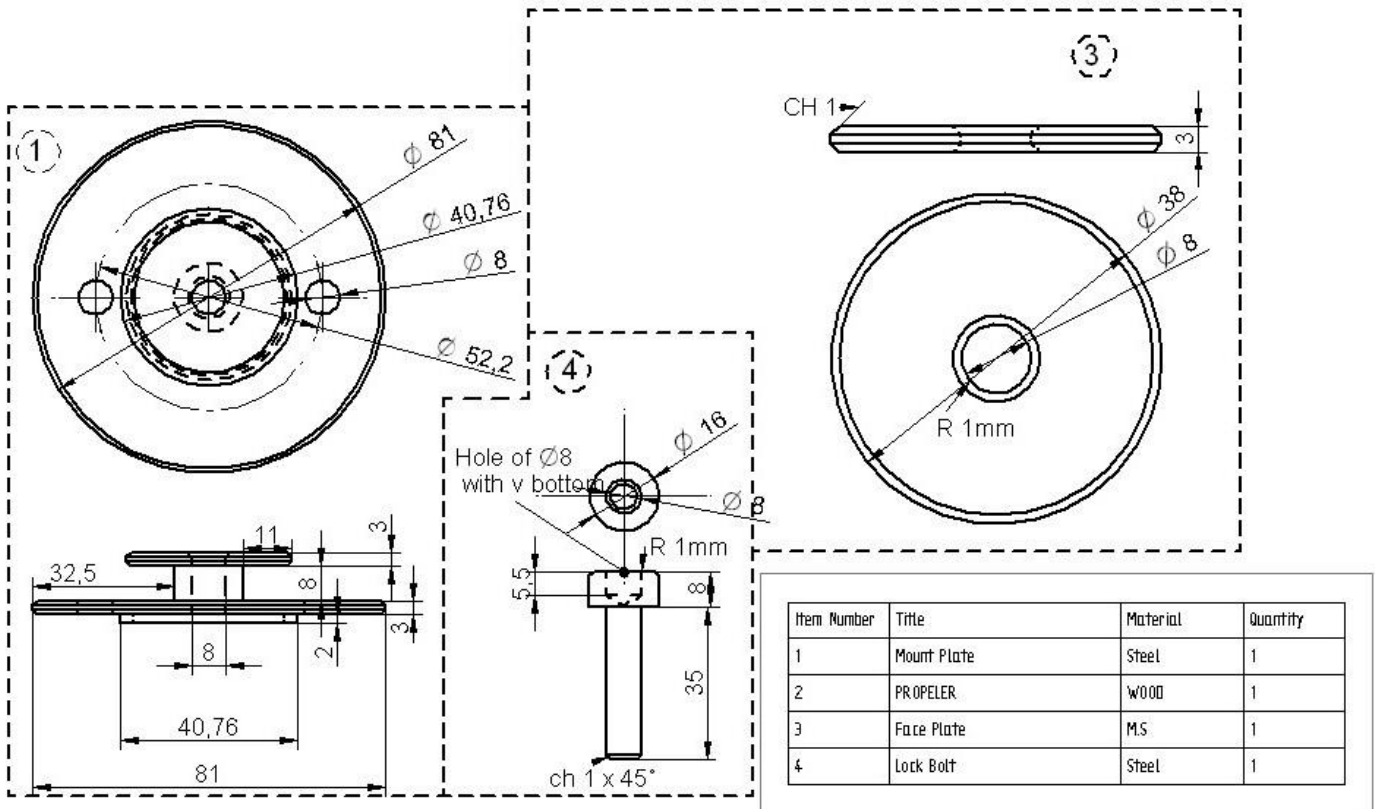


Propeller and Hub assembly (Iso View)



Airfoil Co-ordinate Details		
X	Y	Z
1	0	0.0013
0.95	0	0.0114
0.8	0	0.0375
0.6	0	0.0636
0.4	0	0.078
0.25	0	0.0767
0.15	0	0.0661
0.075	0	0.0496
0.025	0	0.0299
0	0	0
0.025	0	-0.0227
0.075	0	-0.0346
0.15	0	-0.041
0.25	0	-0.0422
0.4	0	-0.038
0.6	0	-0.0276
0.8	0	-0.015
0.95	0	-0.0048
1	0	-0.0013

Item Number	Title	Material	Quantity
1	Mount Plate	Steel	1
2	PROPELLER	WOOD	1
3	Face Plate	MS	1
4	Lock Bolt	Steel	1



Item Number	Title	Material	Quantity
1	Mount Plate	Steel	1
2	PROPELLER	WOOD	1
3	Face Plate	MS	1
4	Lock Bolt	Steel	1

Fig 1

