

Model Question Paper with effect from 2023-24 (CBCS Scheme)

USN

--	--	--	--	--	--	--	--	--	--

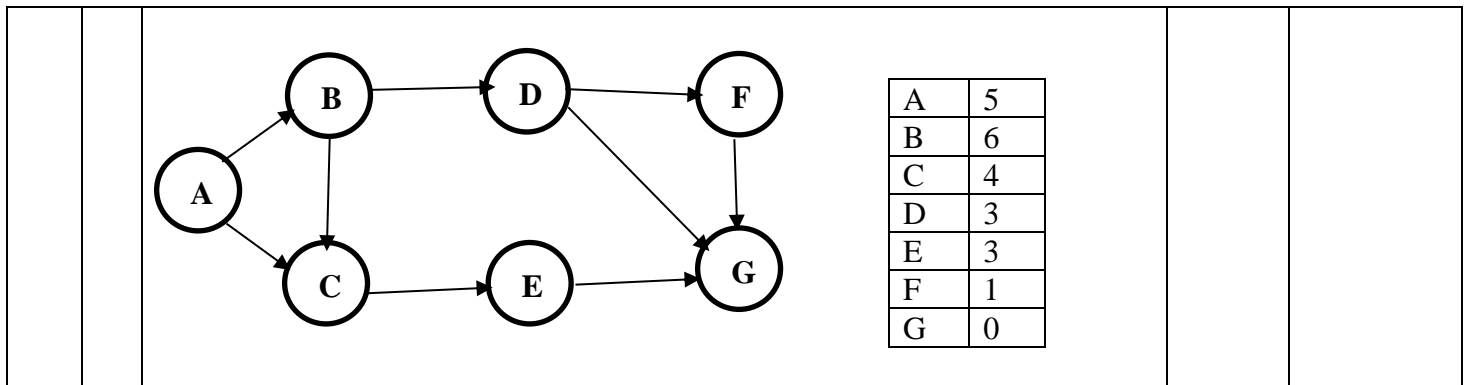
Fifth Semester B.E. Degree Examination Artificial Intelligence

TIME: 03 Hours

Max. Marks: 100

Note: Answer any FIVE full questions, choosing ONE full question from each module.

Q. No.	Questions	Marks	BL
Module 1			
1	a. Define Artificial Intelligence. Explain the foundations of AI in detail.	10	CL2
	b. Discuss the PEAS specification of Biometric Authentication System	10	CL3
OR			
2	a. Differentiate: <ul style="list-style-type: none"> i. Fully observable vs partially observable ii. Single agent vs Multiagent iii. Deterministic vs Stochastic iv. Static vs Dynamic 	10	CL2
	b. Give PEAS specification for Automated Taxi Driver	10	CL3
Module 2			
3	a. Explain five components and well-defined problem. Consider an 8-puzzle problem as an example.	10	CL2
	b. In detail elaborate with neat diagram, the state space for the vacuum world. Links denote actions: L = Left, R = Right, S = Suck.	10	CL3
OR			
4	a. For the graph given below apply BFS and DFS Search algorithm. <div style="text-align: center; margin: 10px 0;"> <pre> graph LR S((S)) --> A((A)) A --> B((B)) B --> C((C)) C --> G((G)) S --> D((D)) D --> G B --> G </pre> </div>	10	CL3
	b. Explain Depth Limited Search and Iterative Deepening DFS Search with an example.	10	CL2
Module 3			
5	a. In the below graph, find the path from A to G. Using Greedy Best First search and A* search algorithm. The values in the table represent heuristic values of reaching the goal node G pass current node.	10	CL3



b. Explain the Knowledge-based agents with an algorithm and explain the TELL and ASK functions used for same. 10 CL2

OR

6 a. Apply the A* search to find the solution path from a to z. Heuristics are with nodes, and cost is with edges. Write all steps as well as open and closed lists for full marks

b. Considering Wumpus world example give the characteristics and simple knowledge base using propositional logic and **Prove that Wumpus is in the room (1, 3).** 10 CL3

Module 4

7 a. List the drawbacks of Propositional Logic. Explain the Syntax and Semantics in First order Logic. 10 CL2

b. Define Universal and Existential Instantiation and give examples for both. Prove the following using Forward chaining: "As per the law, it is a crime for an American to sell weapons to hostile nations. Country E, an enemy of America, has some missiles, and all the missiles were sold to it by Solan, who is an American citizen." Prove that "Solan s criminal." 10 CL3

OR

8 a. Explain the following with respect to the first order logic:
 i. Assertions and Queries in First order logic
 ii. The kinship domain
 iii. Numbers, sets and lists. 10 CL2

b. Considering the digital circuit example illustrate the seven steps in knowledge engineering process. 10 CL2

Module 5

9 a. Explain Backward Chaining algorithm with an example. 10 CL2

	b.	Define Classical Planning. With the blocks world example explain the same in detail.	10	CL2
OR				
10	a.	Write appropriate quantifiers for the following (i) Some students read well (ii) Some students like some books (iii) Some students like all books (iv) All students like some books (v) All students like no books Explain the concept of Resolution in First Order Logic with appropriate procedure.	10	CL2
	b.	Explain the two approaches to searching for a plan in detail.	10	CL2

Cognitive Levels of Bloom's Taxonomy

No.	CL1	CL2	CL3	CL4	CL5	CL6
Level	Remember	Understand	Apply	Analyze	Evaluate	Create